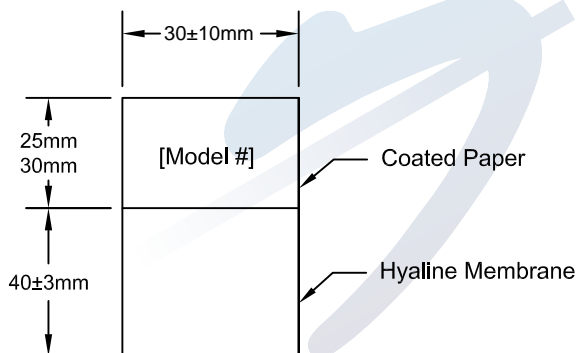


Mold Markings:

Jacket Marking:  
 UL, CSA

Mold Markings:



**Packing: Coiled to Ease Installation**

No.	Specification	QTY	Remarks	UL File No.	Approved	Date	<b>StayOnline®</b>				
1	SJT 14 AWG/3 105° C° BLACK	1PC		E250704 E257089 E115330 E152635 E72389	Checked	Date		Customer			
2	Plug NEMA 5-15 BLACK	1PC			Drawn	Date	15SEP2020	Model #	PF51514E300		
3	Connector NEMA 5-15 BLACK	1PC			Item No.	2319		Material	PVC	Units	mm
4	LABEL: (40+30) * 30 mm	1PC	MAX Length = 73mm		Drawing No.		Rev.	A	Scale		