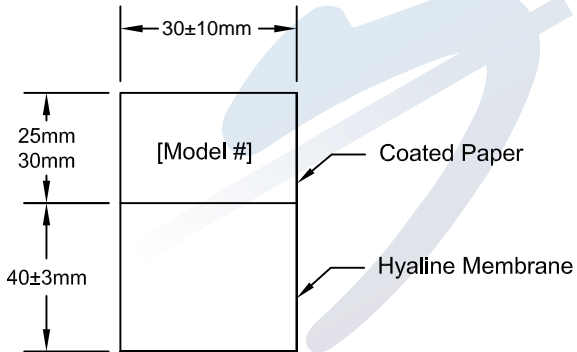


Mold Markings:

Jacket Marking:
 UL, CSA

Mold Markings:



Packing: Bundled to Ease Installation

No.	Specification	QTY	Remarks	UL File No.	Approved	Date	StayOnline®				
1	SJT 14 AWG/3 105° C° GREEN	1PC		E250704 E257089 E115330 E152635 E72389	Checked	Date	15SEP2020	Customer			
2	Plug IEC 60320 C14 GREEN	1PC			Drawn	Date		Model #	PFC1414C1584I		
3	Connector IEC 60320 C15 GREEN	1PC			Item No.	37101		Material	PVC	Units	mm
4	LABEL: (40+30) * 30 mm	1PC	MAX Length = 73mm		Drawing No.	Rev.	A	Scale			