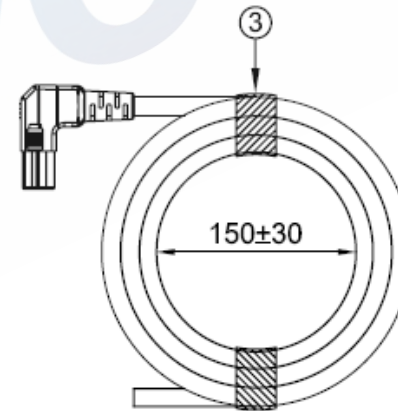


MARKING:

IEC320 C13

WELL SHIN®  
WS-002B-6  
E115330  
15A 250V~



ITEM	DESCRIPTION	COLOR	QTY
①	WS-002B-6 15(A) 250(V) APPROVAL: UL,CUL	BLACK	1
②	SJT 14AWG 3C 105°C APPROVAL: UL,CSA	BLACK	1
③	PE (PE FILM)	CLEAR	1

TOLERANCE >0±0.30 >1.0±0.50 >10.0±1.0 >20.0±2.0 Angle: ±1°	APPROVED		DATE		<b>StayOnline®</b>			
	CHECKED		DATE					
	DRAWN		DATE		CUSTOMER			
	TYPE				P/N			
	DRAWING NO.	50005		REV		MATERIAL	P. V. C	UNIT
					SCALE			