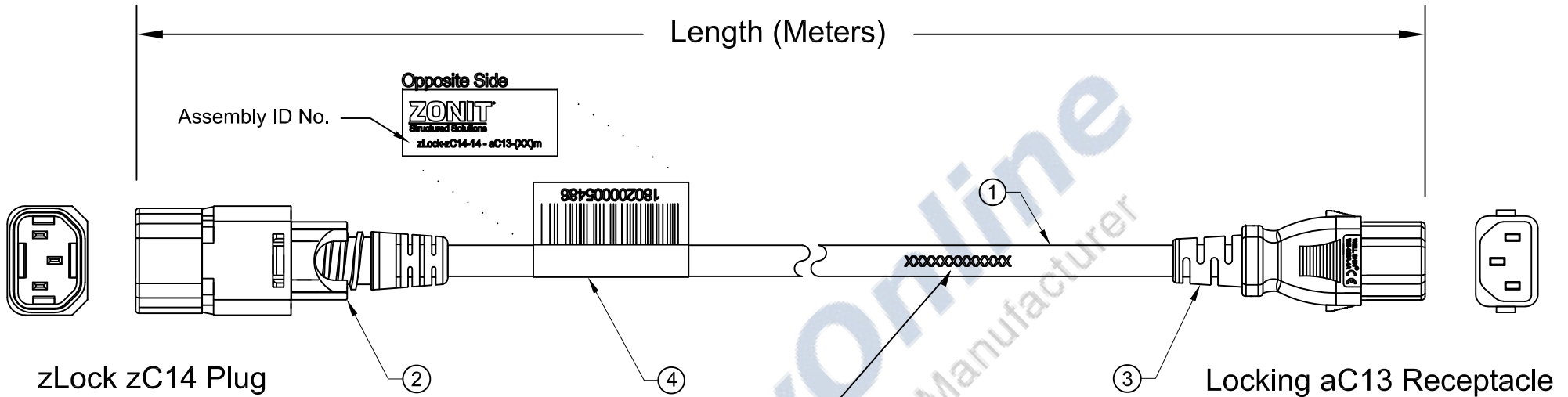




**Packing: Bundled to Ease Installation**



**Cable Markings:**

(UL) SJTW E90165 VW-1 300V 105°C 3X 2.08mm<sup>2</sup> (14AWG) WELL SHIN  
 CSA TYPE SJTW 105°C 3X 2.08mm<sup>2</sup> (14AWG) FT2 300V LL5785\*

PART NUMBERING					
zLock™ - zC14 - 14 - aC13 - X.Xm YY					
PRODUCT	PLUG TYPE	GAUGE (AWG)	RECEPTACLE TYPE	LENGTH (meters)	COLOR CODE (Blank = Black)

Part No.	Assembly ID No.	Color
60000	zLock-zC14-14-aC13-0.6m	Black
60001	zLock-zC14-14-aC13-1.0m	Black
60002	zLock-zC14-14-aC13-1.2m	Black
60003	zLock-zC14-14-aC13-1.5m	Black
60004	zLock-zC14-14-aC13-2.0m	Black
60005	zLock-zC14-14-aC13-2.5m	Black

No.	Specification	QTY	Remarks
1	SJTW 14awg x3 (2.08mm <sup>2</sup> ) 105°C	1 PC	
2	Plug zLock C14	1 PC	
3	Connector Locking C13	1 PC	
4	Zonit™ Product ID Label	1 PC	Code 39
5	Color		Black

Tolerances	Approved	Date	<b>StayOnline®</b>			
> 0 ± 0.30 mm	Checked	Date	Customer			
>1.0 ± 0.50 mm	Drawn	Date	03Dec2019	Model #	zLock-zC14-14-aC13-X.Xm	
>10.0 ± 1.0 mm	Item No.			Material	PVC	Units mm
>20.0 ± 2.0 mm	Drawing No.	Rev.	A	Scale		
Angle: ± 1°						