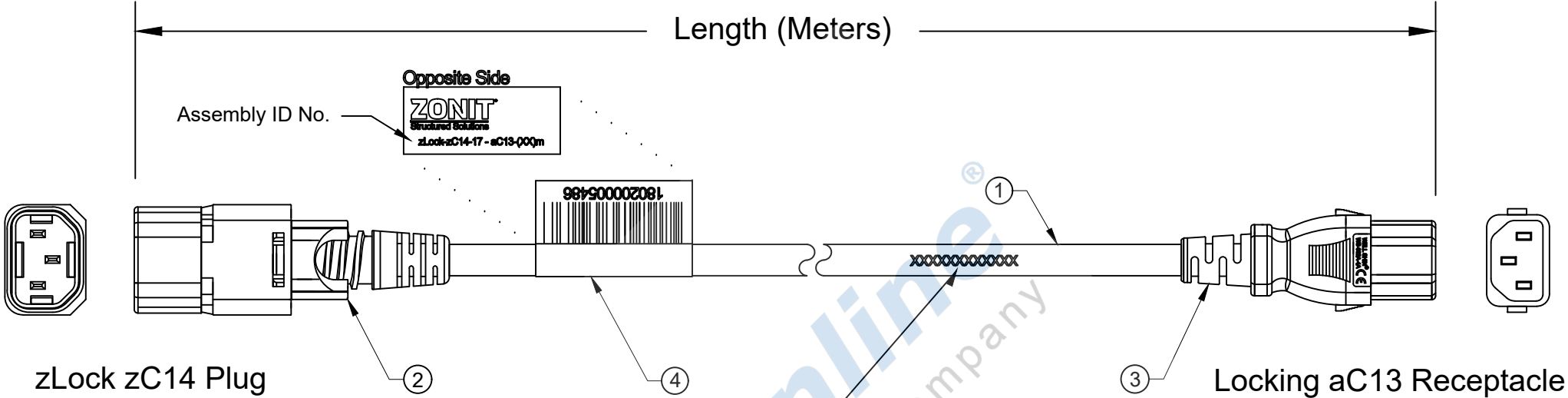


Packing: Bundled to Ease Installation



**Cable Markings:**

\*(UL) SJT E90165 VW-1 300V 105°C 3X 1.04mm<sup>2</sup> (17AWG) CSA TYPE SJT 105°C 3X 1.04mm<sup>2</sup> (17AWG) FT2 300V LL57855 WELLSHIN H05VV-F 3G1.0mm<sup>2</sup> <VDE> IEMMEQU WELL SHIN+D V75 250/440V ORDINARY DUTY NSW24707 WELL SHIN"

PART NUMBERING					
zLock™	- zC14	- 17	- aC13	- X.Xm	YY
PRODUCT	PLUG TYPE	GAUGE (AWG)	RECEPTACLE TYPE	LENGTH (meters)	COLOR CODE (Blank = Black)

Part No.	Assembly ID No.	Color	Part No.	Assembly ID No.	Color
60017	zLock-zC14-17-aC13-0.6m	Black	84786	zLock-zC14-17-aC13-3m	Black
60013	zLock-zC14-17-aC13-1.0m	Black			
60018	zLock-zC14-17-aC13-1.2m	Black			
60020	zLock-zC14-17-aC13-1.5m	Black			
60021	zLock-zC14-17-aC13-2.0m	Black			
60080	zLock-zC14-17-aC13-2.5m	Black			

No.	Specification	QTY	Remarks
1	SJT 17awg x3 (1.04mm <sup>2</sup> ) 105°C	1 PC	
2	Plug zLock C14	1 PC	
3	Connector Locking C13	1 PC	
4	Zonit™ Product ID Label	1 PC	Code 39
5	Color		Black

Tolerances	Approved	Date	<b>StayOnline®</b>			
> 0 ± 0.30 mm	Checked	Date	Customer			
> 1.0 ± 0.50 mm		Date	04MAY2026	Model #	zLock-zC14-17-aC13-X.Xm	
> 10.0 ± 1.0 mm	Drawn	Date	JMB	Material	PVC	Units
> 20.0 ± 2.0 mm		Date		mm		
Angle: ± 1°	Item No.			Material	PVC	Units
	Drawing No.	Rev.	B	Scale		